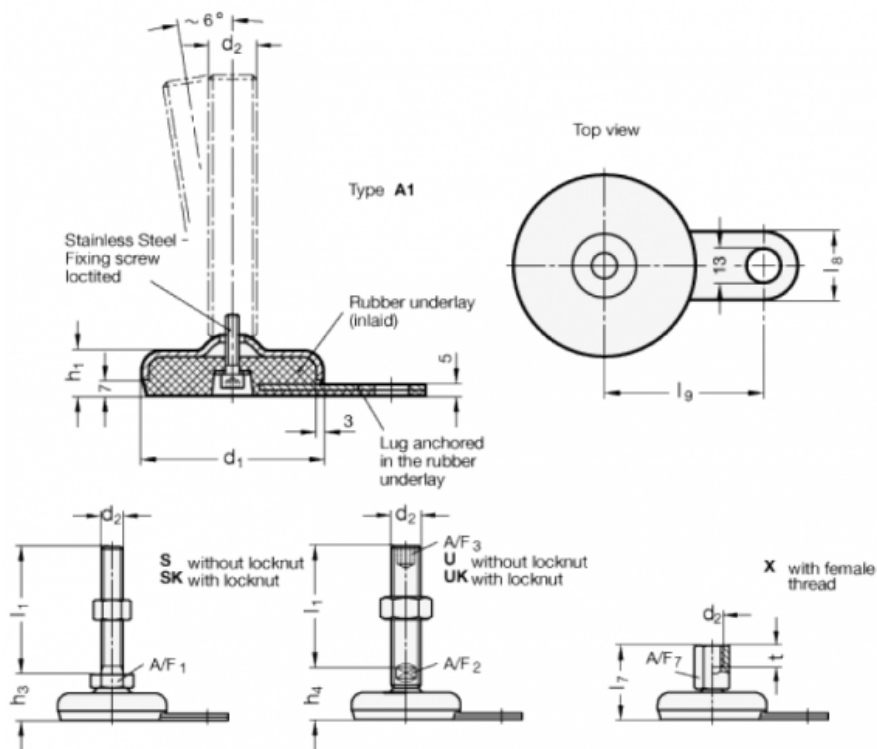


Article number: 2032100M1655A1X
 Description: E+G levelling foot
 GN 32-100-M16-55-A1-X
 Note: X With female thread, External hexagon

Measures



| | | |
|------|---|-----|
| A/F7 | = | 22 |
| d1 | = | 100 |
| d2 | = | M16 |
| h1 | = | 21 |
| l7 | = | 55 |
| l8 | = | 30 |
| l9 | = | 80 |
| t | = | 16 |